

Technical data sheet

Induction Heater IH 070

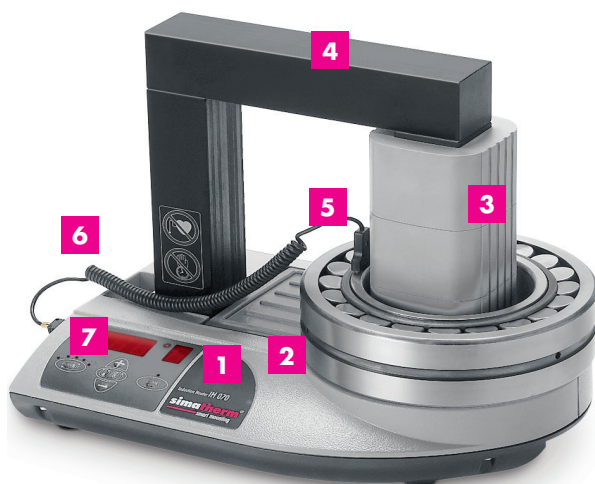
Medium-sized heater for bearings up to 120 kg



The medium-sized simatherm induction heater for roller bearings and other circular metal workpieces up to 400 mm bore diameter and a cross section of 145 x 205 mm. With the integrated time and temperature controls, roller bearings can be heated to the prescribed 110°C while other circular metal workpieces can be heated to 250°C.

- Three yokes included
- Very compact design – including the three yokes, only 35 kg overall weight
- Swivel arm is available as an option
- Other power versions are available upon request

Description IH 070

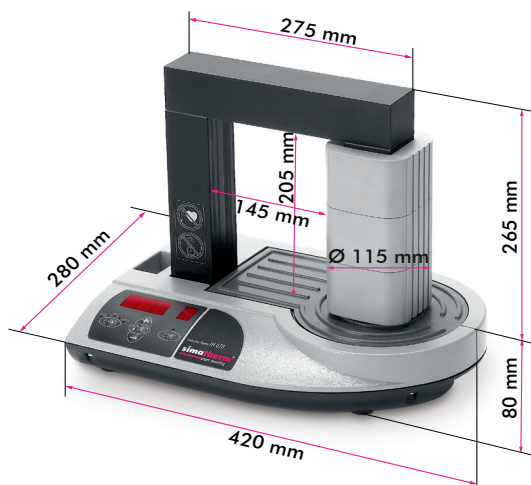


- 1 Clear control panel with LED display
- 2 Heating surface
- 3 Induction coil outside of the housing shortens the heating time and reduces the energy consumption
- 4 Support yoke (three yokes included)
- 5 Magnetic temperature probe for monitoring the bearing temperature and for preventing overheating
- 6 Cable
- 7 Main switch

Technical data sheet

Induction Heater IH 070

Designation	Heater for small to medium workpieces
Voltage V / Hz / power	100 V / 50 – 60 Hz / 1.5 kVA 110 – 120 V / 60 Hz / 3.7 kVA 220 – 240 V / 50 – 60 Hz / 3.7 kVA
Workpiece	
- Maximum weight	120 kg
- Bore diameter	20 – 400 mm
Temperature control	
- Range	0 – 250°C
- Magnetic probe	yes, type K
- Accuracy (electronic)	± 3°C
Time control	
- Range	0 – 60 minutes
- Accuracy	± 0.01 seconds
Maximum temperature (approx.)	250°C
Thermometer mode	yes
Bearing temperature mode	yes
Power reduction	4 levels / 20-40-60-80%
Automatic demagnetization / residual magnetism	yes / < 2A/cm
Suitable for heating sealed bearings	yes
Suitable for heating pre-greased bearings	yes
Error guide codes	yes
Thermal overload protection	yes
Maximum magnetic flux	1.5 T
Control panel	keyboard with LED-display
Size of the operating area (WxH)	145 x 205 mm
Coil diameter	115 mm
Measurements (LxWxH)	420 x 280 x 345 mm
Overall weight including yokes	35 kg
Number of standard yokes	3
Standard yokes	55 x 55 x 275 mm for bearings with a bore diameter of at least 78 mm 28 x 28 x 275 mm for bearings with a bore diameter of at least 40 mm 14 x 14 x 275 mm for bearings with a bore diameter of at least 20 mm
Core cross section	55 x 55 mm
Yoke storage	yes, integrated
Swivel arm	optional
Housing material	aluminum



Features and Dimensions IH 070

- Can heat a bearing weighing 65 kg in 20 minutes from 20°C to 110°C, saving time and energy
- 4 different power consumption levels, along with smaller yokes, allow smaller bearings to be heated quickly and efficiently with less energy
- A pre-selected temperature of 110°C protects bearings from overheating
- Automatic demagnetization
- Delivered in a reusable wooden crate upon request
- 3 year manufacturer warranty